

PFS

Small sanitary housings

Sanitary stainless steel housings suitable for use in food and pharmaceutical industries for filtration and sterilization of small volumes of liquids and gases.

PFS housings provide sanitary connections for process, vent and drain valves with or without sampling valve.



Main features

- Tri-clamp connections.
- Filter elements size 1001.
- Sanitary drain valves and sampling with Staubli connectors.

Construction materials

Housing : Stainless steel AISI 316L

Clamp closure : Stainless steel AISI 304

Gaskets : standard Silicone

Surfaces finishing

Internal: polishing — Ra 0,4 µm

External: polishing — Ra 0,8 µm

Design and construction

In accordance with PED European Directive.

Suitable for fluids of group 1 and 2 in accordance with CE 1272/2008.

Certification

Declaration of conformity and user manual.

Model	In-Out connections	Filter element size	Weight Kg	Volume L	Sanitary valve connections			Nominal size (mm)		
					Vent	Drain	Sampling	A	B	C
PFS-R20-1001-L-B-S	3/4" TC	1001	1,8	0,30	Staubli RBE 03	Staubli RBE 03	Without port	135	246	73
PFS-R25-1001-L-B-S	1" TC		1,9	0,35						
PFS-R40-1001-L-B-S	1½" TC		2,1	0,40						
PFS-R25-1001-L-C-S	1" TC		2,0	0,35						
PFS-R40-1001-L-C-S	1½" TC		2,2	0,40						

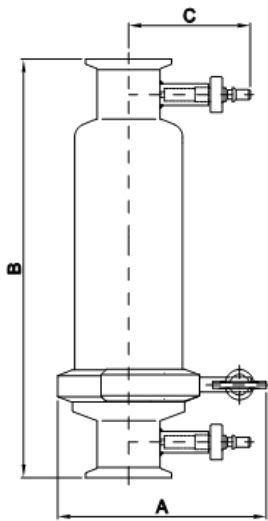
Note: the models indicated refer to the most used versions; for different configurations see the options indicated in the code description product.

Code information

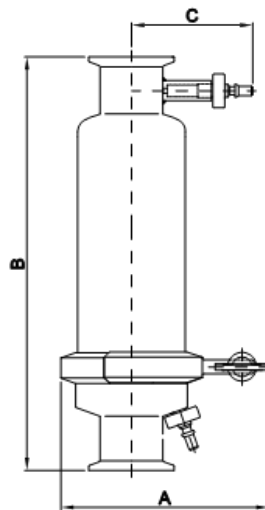
Serie	IN-OUT connections	Filter element size	Finishing	Ports with sanitary valves	O-ring material
PFS	R20 3/4" TC R25 1" TC R40 1½" TC	1001 Length 135 mm	L Mechanical polishing E Electrical polishing	* Vent - Sampling B Vent - Drain C Vent - Drain- Sampling	S Silicone std E EPDM T Teflon

Example code

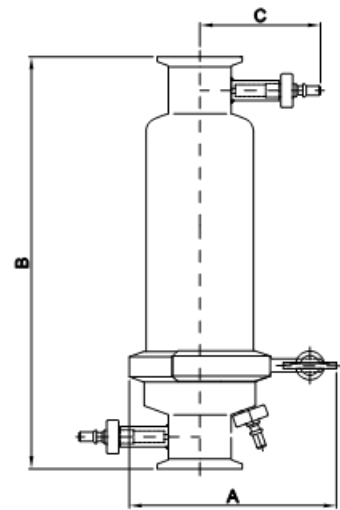
PFS	-	R40	-	1001	-	L	-	B	-	S
-----	---	-----	---	------	---	---	---	---	---	---



Option code *



Option code B



Option code C

Operating limits

Max pressure	Max temperature	In accordance with PED Directive		
		Fluid state	Fluid group	PED
10 bar	150°C	Liquid and Gas	1 (dangerous) 2 (not dangerous)	Art.4 par.3

Data contained in this bulletin are informative and subject to change without notice.

User is responsible for determining whether the product is fit for particular purpose and suitable for User's method of application.



Bea Technologies Spa Via Newton, 4 - 20016 Pero (Milano) ITALY
 Tel +39 02 339271 FAX +39 02 3390713 e-mail: info@bea-italy.com
 web: www.bea-italy.com